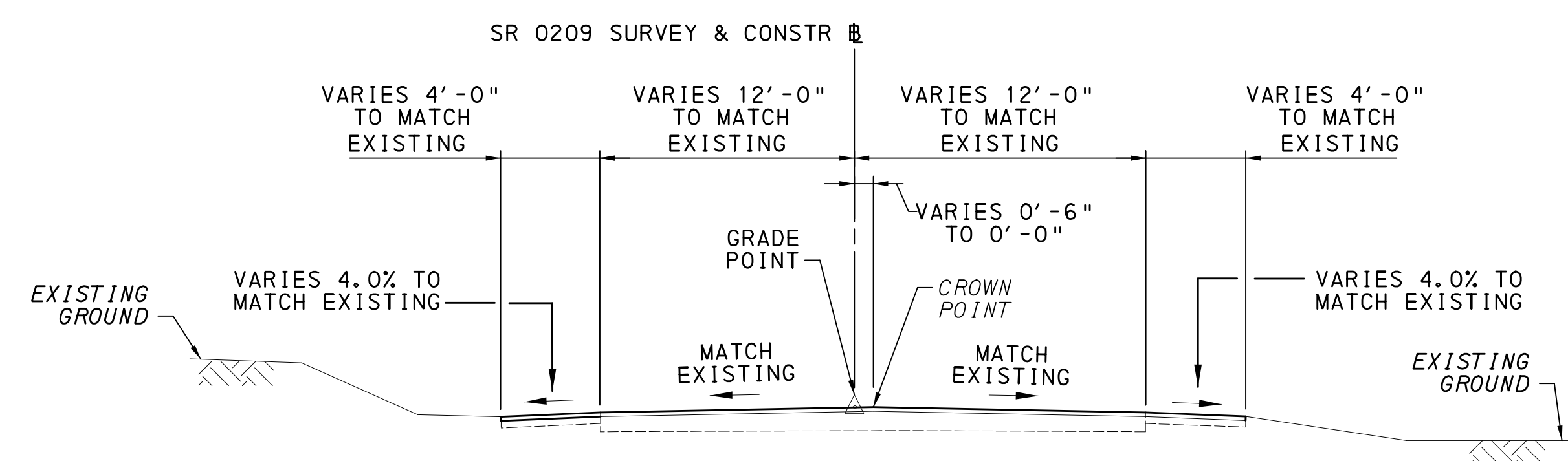
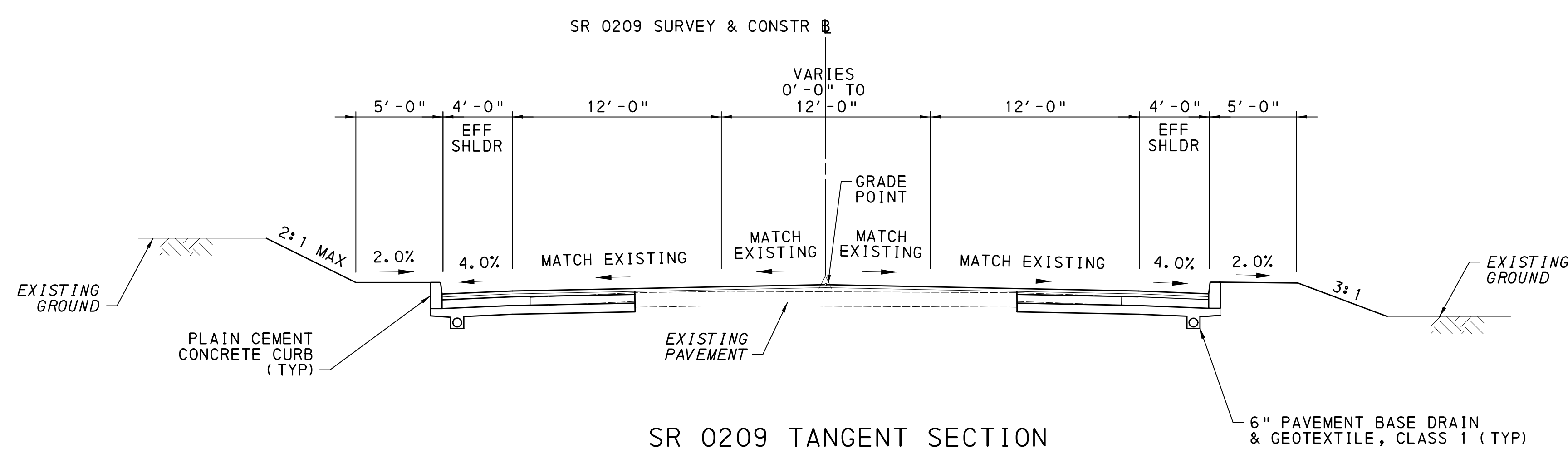


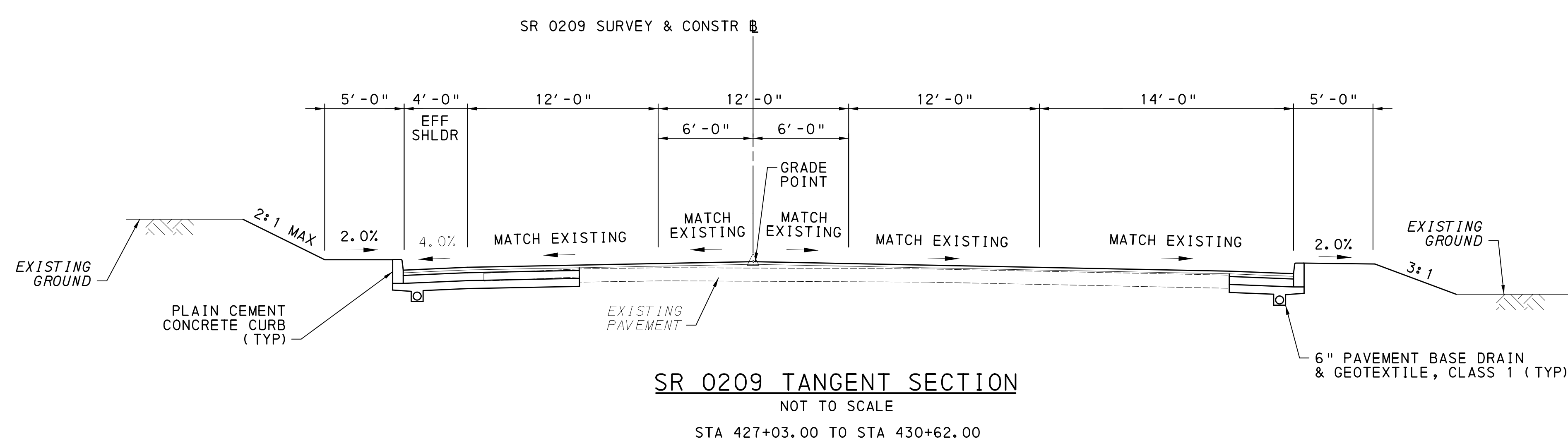
SR 0209 (US 209) TYPICAL SECTIONS



SR 0209 TANGENT SECTION
NOT TO SCALE
STA 415+60.00 TO STA 416+00.00

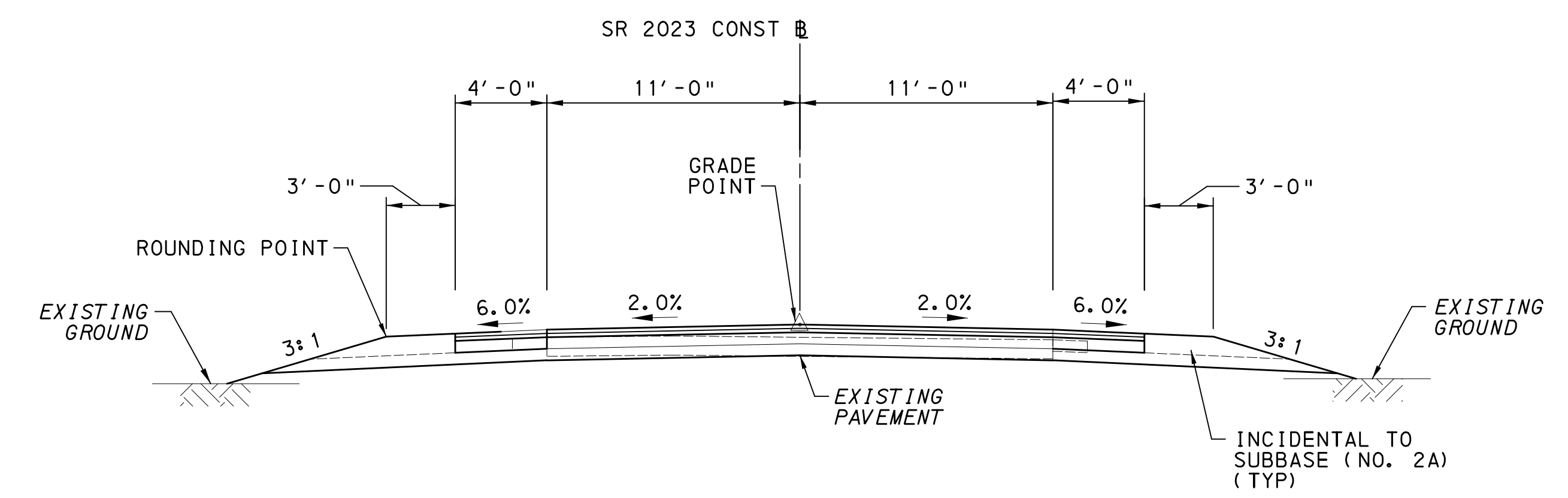


SR 0209 TANGENT SECTION
NOT TO SCALE
STA 416+00.00 TO STA 427+03.00

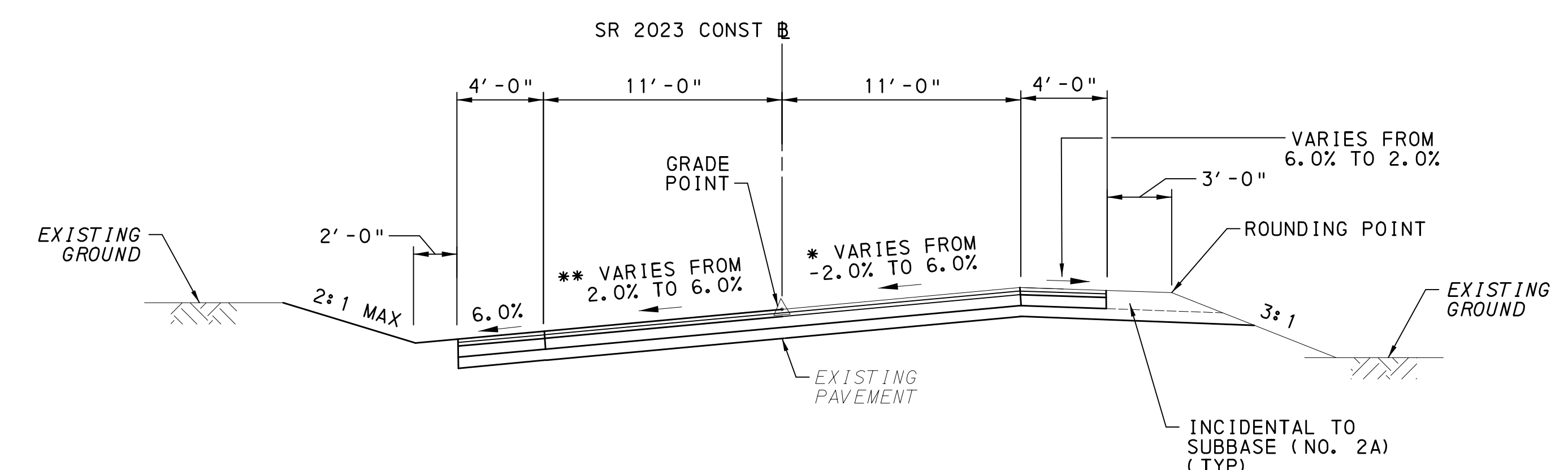


SR 0209 TANGENT SECTION
NOT TO SCALE
STA 427+03.00 TO STA 430+62.00

SR 2023 (HOLLOW ROAD) TYPICAL SECTIONS

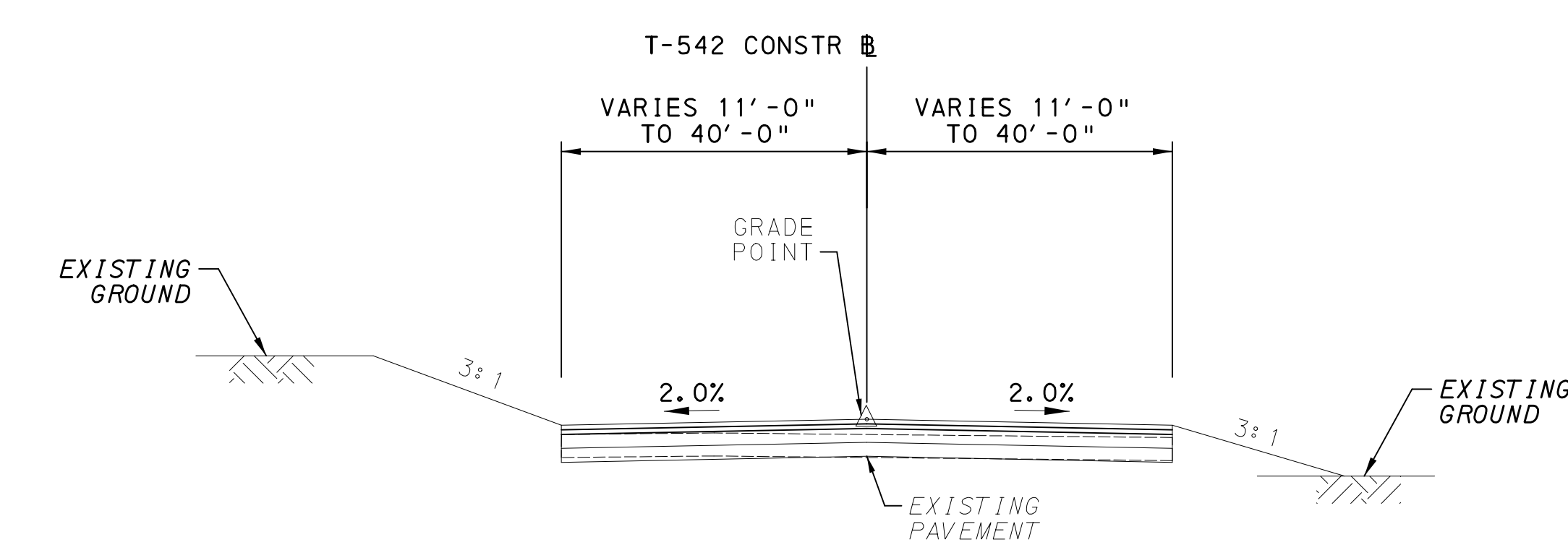


SR 2023 (HOLLOW ROAD) TANGENT SECTION
NOT TO SCALE
STA 10+75.00 TO STA 11+51.17



SR 2023 (HOLLOW ROAD) SUPERELEVATED SECTION
NOT TO SCALE
STA 11+51.17 TO STA 13+82.00

T-542 (HOLY CROSS ROAD) TYPICAL SECTIONS



T-542 (HOLY CROSS ROAD) TANGENT SECTION
NOT TO SCALE
STA 19+61.12 TO STA 20+63.86
STA 22+75.00 TO STA 24+59.00